

CSW Plastic Unwrapper - PU-3

Automatic end-unwrapper

CSW Plastic unwrapper - PU-3 for aluminium can-ends as well as steel-ends, with a maximum capacity of un-wrapping three (3) rolls per minute.



Storage table



Optoc feeding system



Unwrapping



Transfer Section



Can-end Discharge towards Seamer



Foil collecting containers

The Plastic Unwrapper has the following features;

- Can-end min. ISO-63 max. ISO-153
- Full stainless steel structure
- Storage table with optoc ensuring controlled feeding of rolls
- Storage capacity, depending on buffertable and roll diameter
- Unwrapping by means of a moving "air heating" module
- Plastic foil abduct by suction
- Plastic foil collecting containers
- Discharge end conveyor towards following CSW conveyor towards seamer or customers magnetic separator
- Easy operating and cleaning
- Minimal effort required for maintenance and Change-overs
- 24-hours operation - 7 days a week
- Maximum safety for operating staff

CSW Guarantees a machine efficiency of minimal 99% according to OEE.

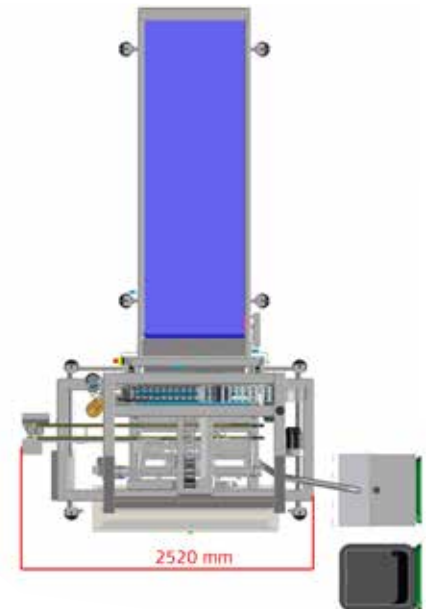
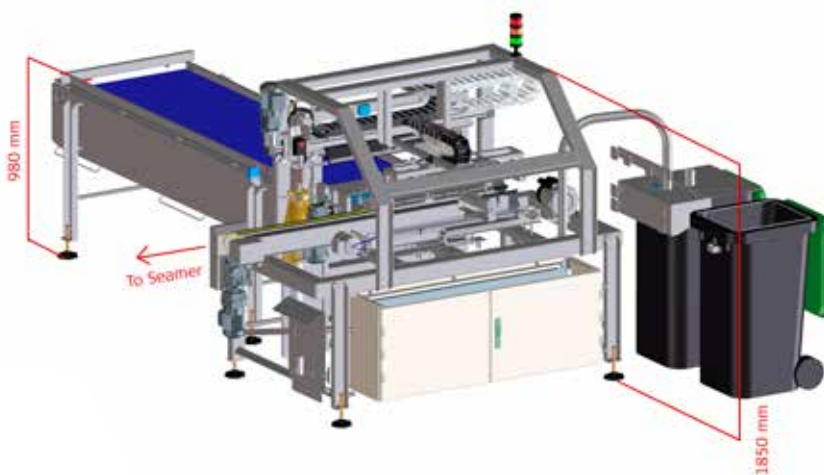
your best start in end-unwrapping

CSW Plastic Unwrapper - PU-3

Technical data

Model	MF-Flex	Note
Can-ends	Aluminium/Steel	
Can diameter	ISO 63 - 153	Adjustable for different diameter
Roll length	350 - 800 mm	Adjustable for different lengths
Roll capacity	3 rolls/ min.	4 rolls optional as upgrade
Packing of rolls	Acc. to CSW Specs	ACC to CSW Specs
Compressed air	6 bar (g)	
Air connection	10 mm	
Compressed air consumption	350 NI/min.	
E- Power connection	400V @ 50Hz, N-S, neutral chargeable	
Total connected power	4 kW	
Nett weight approx..	1500 kg	

Please note that submitted energy consumptions are for indication purposes only. Equipment energy consumption depends on actual system configuration for your specific requirements.



Options and upgrade kits PU-3

- Roll Depalletiser c/w
- Fixed U-shape pallet position chain or roller/chain conveyor as pallet infeed
- Robot-brand FANUC
- S-Wrap unit, single or double unit
- Can-End outfeed transport by means of pusher unit plus transport system towards seamer including GAP-control
- Not within our scope of supply are: magnetic separators and magnetic conveyors

For your specific requirements please contact your CSW representative, call +31 (0) 570 678 700 or find your local CSW representative on www.cswbv.com/your-agency.

CSW Machinery B.V.

Rigastraat 16, 7418 EW Deventer

The Netherlands

+31 (0)570 678700

sales@cswbv.nl

WWW.CSWBV.COM