

CSW Lowered V-Chute - LVC

Manual end-unwrapper

CSW Lowered V-Chute – LVC for aluminium can-ends, normally used for capacities up to 30,000 can-ends per hour. Above this capacity CSW recommends an automatic un-wrapper system.

Rolls are positioned in a chute with 30 degree angle. Paper sleeve is removed manually by the operator at an ergonomically operating level. The Lowered V-Chute is positioned at floor level and feeding the ends upwards towards the single end seamer infeed.



End-Weight



Can-end Discharge towards seamer



Scissor Device

The LVC has the following features;

- Complete stainless steel structure
- Pusher unit c/w discharge end conveyor
- Gap-control unit for controlled feeding towards seamer
- Standard 5 meter of can-end conveyor included
- Including E-cabinet and steering & control
- Easy operating and cleaning
- Minimal effort required for maintenance
- 24 hours operation – 7 day a week
- Maximum safety for operating staff



your best start in end-unwrapping

CSW Lowered V-Chute - LVC

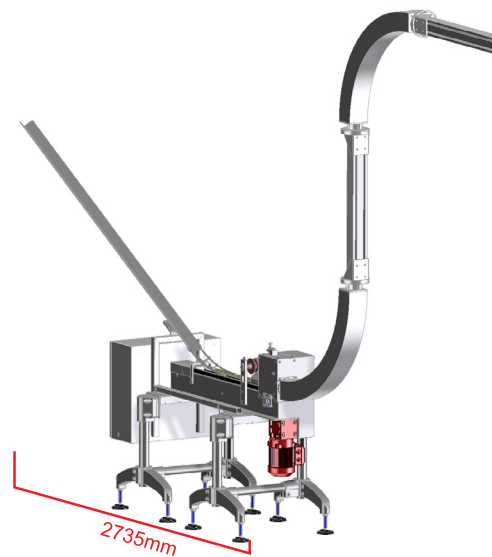
Technical data

Model	LVC
Seamer connection	Single end infeed
Can-ends	Aluminium SOT/Steel Executing with CDL/Superends as standard
Can-ends per hour	Max. 30,000
Can diameter	2.00 – 2.06 Other diameters on request
Components	Standard as in use at CSW
Switch panel/operation panel	Stainless steel IP65
Compressed air	6 bar (g)
Air connection	10 mm
E- Power connection	400V @ 50Hz, TN-S
Total connected power	0,5 kW
Peak power consumption	0,25 kW
Stand by	0,1 kW
Nett weight approx..	150 kg

Please note that submitted energy consumptions are for indication purposes only. Equipment energy consumption depends on actual system configuration for your specific requirements.

Options and upgrade kits LVC

- Additional conveyors incl. required curves
- Dustcover for can-end transport system
- Air conditioner in control panel
- Dedicated pusher for specific ends
- Low level end detection upstream pusher unit



For your specific requirements please contact your CSW representative, call **+31 (0) 570 678 700** or find your local CSW representative on www.cswbv.com/your-agency.

CSW Machinery B.V.

Rigastraat 16, 7418 EW Deventer

The Netherlands

☎ +31 (0)570 678700

✉ sales@cswbv.nl

WWW.CSWBV.COM