

CSW Multifeeder 4 - MF4

Automatic end-unwrapper

CSW MMF-4 for aluminium can-ends as well as steel-ends, with a maximum capacity of un-wrapping four (4) rolls per minute, allowing a guaranteed capacity of 120,000 ends per hour, based on a double discharge and double infeed to the downstream seamer or two individual single infeed seamers.



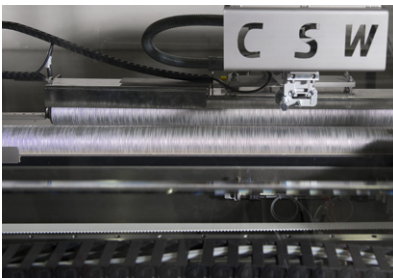
Flow Table



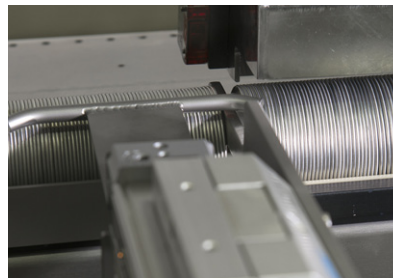
Control Panel



Paper Bin



Transfer Section



Sentinel



Can-end Discharge towards seamer

The MF4 has the following features;

- Completely stainless steel structure
- Storage table with double optoc ensuring controlled feeding of rolls
- Storage capacity of 50 rolls of 2.02 ends
- Unwrapping unit by means of static knife in conjunction with rollers.
- Paper bin collector
- Sentinel system, for detection and automatic removal of reversed ends
- Discharge end conveyor c/w gap-control unit for controlled feeding towards seamer
- Standard 5 mtr of can-end conveyors included
- Easy operating and cleaning
- Minimal effort required for maintenance
- 24-hour operation – 7 day a week.
- Maximum safety for operating staff

CSW guarantees a machine efficiency of minimal 98% according to OEE.

your best start in end-unwrapping

CSW Multifeeder 4

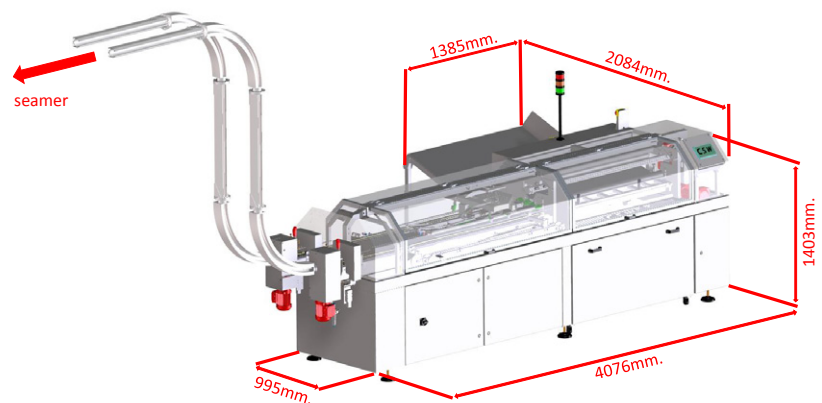
Technical data

Model	MF-4
Seamer connection	Double end infeed or feeding two individual single infeed seamers.
Can-ends	Aluminium SOT/Steel
Can-ends per hour	max. 120,000
Can diameter	2.00 - 2.06
Roll length	1.020 -1.200 mm Fixed to one length
Roll variation	1.050 - 1.200 mm
Roll capacity	Max. 4 rolls/ min. based on double discharge
Packing of rolls	Acc. to CSW Roll Specifications
Compressed air	6 bar (g)
Air connection	10 mm
Compressed air consumption	200 NI/min.
E- Power connection	400V @ 50Hz: TN-S
Total connected power	2 kW
Peak power consumption	1 kW
Stand by	0,2 kW
Nett weight approx..	1370 kg

Please note that submitted energy consumptions are for indication purposes only, equipment energy consumption depends on actual system configuration for your specific requirements.

Options and upgrade kits MF-4

- Integrated lift unit for steel lids
- Dustcover for can-end transport system
- Driven storage table in various capacities
- Change over sets for different can-end diameters
- Quick change over time
- Integrated Manual End Feed system as bypass



For your specific requirements please contact your CSW representative, call **+31 (0) 570 678 700** or find your local CSW representative on www.cswbv.com/your-agency

CSW Machinery B.V.

Rigastraat 16, 7418 EW Deventer

The Netherlands

☎ +31 (0)570 678700

✉ sales@cswbv.nl

WWW.CSWBV.COM